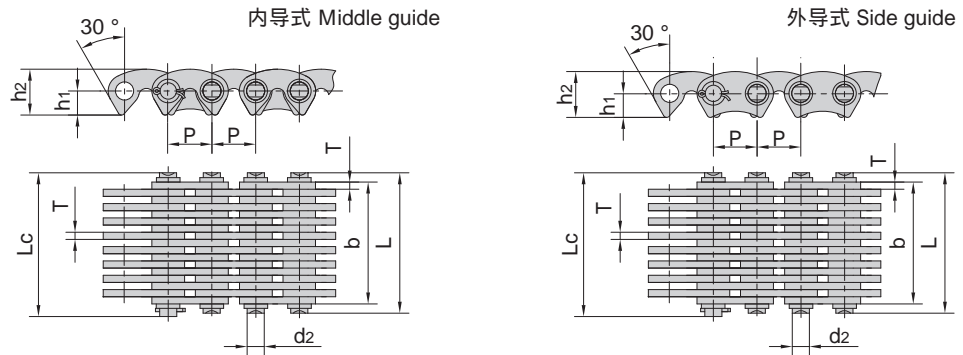


齿形链 Inverted tooth chains

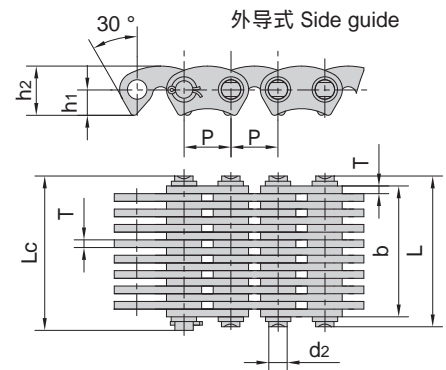
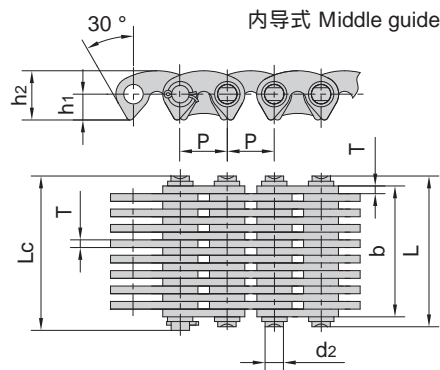
外接触式齿形链 Flank contact silent chains



| GB 链号 GB Chain No. | 节距 | 链宽 | 销轴直径 | 销轴长度 | | 孔中心到齿尖距离 | 链板高度 | 链板厚度 | 导向型式 | 片数 | 抗拉强度 | 平均抗拉强度 | 每米长重 |
|-----------------------|--------|-------------|--------------|----------|-------------|------------------------------------|-------------|-----------------|------------|------------------|------------------|--------------------------|------------------|
| | Pitch | Chain width | Pin diameter | L max | Lc max | Distance from hole center to tooth | Plate depth | Plate thickness | Guide type | Number of plates | Tensile strength | Average tensile strength | Weight per meter |
| | P mm | b min mm | d2 max mm | L max mm | Lc max mm | h1 mm | h2 max mm | T max mm | | n | Q min kN/lbf | Q0 kN | q kg/m |
| SC3 | 9.525 | 10.5 | 3.95 | 15.8 | 17.5 | 5.3 | 10.0 | 1.5 | 外(Outside) | 7 | 8.0/1798 | 8.9 | 0.48 |
| | | 13.5 | | 18.5 | 20.0 | | | | 外(Outside) | 9 | 10.0/2272 | 11.2 | 0.60 |
| | | 16.5 | | 21.5 | 23.0 | | | | 外(Outside) | 11 | 12.5/2840 | 14.0 | 0.73 |
| | | 19.5 | | 24.5 | 26.0 | | | | 外(Outside) | 13 | 15.0/3409 | 16.8 | 0.85 |
| | | 22.5 | | 27.5 | 29.0 | | | | 外(Outside) | 15 | 17.5/3997 | 19.6 | 1.00 |
| | | 28.5 | | 33.5 | 35.0 | | | | 内(Inside) | 19 | 22.5/5114 | 25.2 | 1.26 |
| | | 34.5 | | 39.5 | 41.5 | | | | 内(Inside) | 23 | 27.5/6182 | 30.8 | 1.60 |
| | | 37.5 | | 42.5 | 44.0 | | | | 内(Inside) | 25 | 30.0/6744 | 33.6 | 1.73 |
| | | 40.5 | | 45.5 | 47.5 | | | | 内(Inside) | 27 | 32.5/7306 | 36.4 | 1.86 |
| | | 43.5 | | 48.5 | 50.2 | | | | 内(Inside) | 29 | 35.0/7868 | 39.2 | 1.99 |
| 46.5 | 51.5 | 53.0 | 内(Inside) | 31 | 37.0/8318 | 41.4 | 2.12 | | | | | | |
| SC4 | 12.700 | 19.5 | 5.08 | 24.5 | 26.0 | 7.0 | 13.4 | 1.5 | 外(Outside) | 13 | 23.4/5318 | 26.2 | 1.15 |
| | | 22.5 | | 27.5 | 29.0 | | | | 外(Outside) | 15 | 27.4/6227 | 30.6 | 1.33 |
| | | 25.5 | | 30.5 | 32.0 | | | | 外(Outside) | 17 | 31.3/7114 | 35.0 | 1.50 |
| | | 28.5 | | 33.5 | 35.0 | | | | 内(Inside) | 19 | 35.2/8000 | 39.4 | 1.68 |
| | | 34.5 | | 39.5 | 41.0 | | | | 内(Inside) | 23 | 43.0/9772 | 48.1 | 2.04 |
| | | 40.5 | | 45.5 | 47.0 | | | | 内(Inside) | 27 | 50.8/11364 | 56.8 | 2.39 |
| | | 46.5 | | 51.5 | 53.0 | | | | 内(Inside) | 31 | 58.6/13318 | 65.6 | 2.74 |
| | | 52.5 | | 57.5 | 59.0 | | | | 内(Inside) | 35 | 66.4/15091 | 74.3 | 3.10 |
| 61.5 | 67.8 | 69.5 | 内(Inside) | 41 | 78.2/17579 | 86.8 | 3.68 | | | | | | |
| SC5 | 15.875 | 22.0 | 5.92 | 29.0 | 30.2 | 8.7 | 16.7 | 2.0 | 内(Inside) | 11 | 32.6/7328 | 36.1 | 1.62 |
| | | 26.0 | | 33.0 | 34.2 | | | | 内(Inside) | 13 | 39.0/8767 | 43.2 | 1.92 |
| | | 30.0 | | 37.0 | 38.2 | | | | 内(Inside) | 15 | 45.6/10364 | 50.6 | 2.21 |
| | | 34.0 | | 41.0 | 42.2 | | | | 内(Inside) | 17 | 52.1/11712 | 57.8 | 2.51 |
| | | 38.0 | | 45.0 | 46.2 | | | | 内(Inside) | 19 | 58.6/13318 | 65.0 | 2.80 |
| | | 42.0 | | 49.0 | 50.3 | | | | 内(Inside) | 21 | 65.1/14634 | 72.2 | 3.10 |
| | | 46.0 | | 53.0 | 54.2 | | | | 内(Inside) | 23 | 71.7/16295 | 79.5 | 3.39 |
| | | 50.0 | | 57.0 | 58.4 | | | | 内(Inside) | 25 | 75.0/16860 | 83.2 | 3.69 |
| | | 54.0 | | 61.0 | 62.4 | | | | 内(Inside) | 27 | 84.7/19250 | 94.0 | 3.99 |
| | | 62.0 | | 69.0 | 70.4 | | | | 内(Inside) | 31 | 97.7/22204 | 108.4 | 4.58 |
| | | 66.0 | | 73.0 | 74.4 | | | | 内(Inside) | 33 | 100.0/22480 | 111.0 | 4.88 |
| | | 70.0 | | 77.0 | 78.4 | | | | 内(Inside) | 35 | 111.0/24953 | 123.2 | 5.18 |
| 78.0 | 85.0 | 86.4 | 内(Inside) | 39 | 124.0/27875 | 137.6 | 5.77 | | | | | | |

齿形链 Inverted tooth chains

外接触式齿形链 Flank contact silent chains



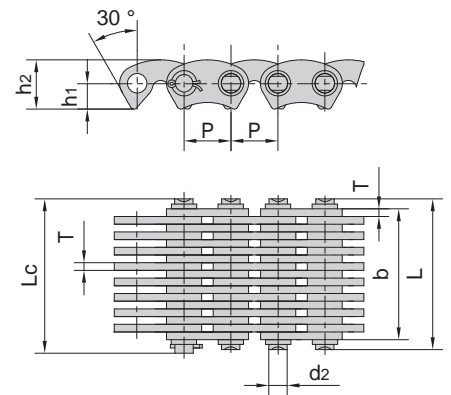
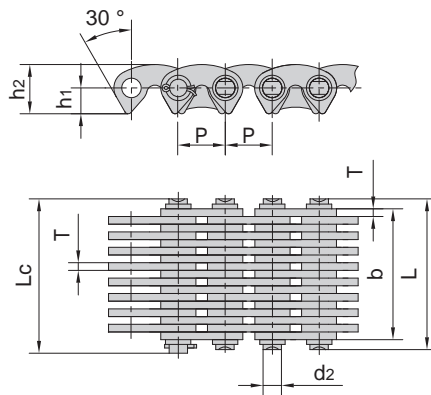
| GB 链号 GB Chain No. | 节距 | 链宽 | 销轴直径 | 销轴长度 | | 孔中心到齿尖 距离 | 链板高度 | 链板厚度 | 导向型式 | 片数 | 抗拉强度 | 平均抗拉强度 | 每米长重 | |
|--------------------------------|---------|----------------|-----------------|----------------|------------------------------------|--------------|-----------------|----------------|------------------|------------------|--------------------------|------------------|-----------|-------|
| | Pitch | Chain width | Pin diameter | Pin length | Distance from hole center to tooth | Plate depth | Plate thickness | Guide type | Number of plates | Tensile strength | Average tensile strength | Weight per meter | | |
| | P mm | b min mm | d2 max mm | L max mm | Lc max mm | h1 mm | h2 max mm | T max mm | | n | Q min kN/lbf | Q0 kN | q kg/m | |
| SC6 | 19.050 | 6.90 | 6.90 | 33.0 | 34.8 | 10.5 | 20.0 | 2.0 | 内(Inside) | 13 | 46.0/10341 | 51.0 | 2.46 | |
| | | | | 34.0 | 41.0 | | | | 42.5 | 内(Inside) | 17 | 62.5/14050 | 69.3 | 3.16 |
| | | | | 38.0 | 45.0 | | | | 46.5 | 内(Inside) | 19 | 70.0/15909 | 77.6 | 3.37 |
| | | | | 46.0 | 53.0 | | | | 54.5 | 内(Inside) | 23 | 86.0/19545 | 95.4 | 4.08 |
| | | | | 50.0 | 57.8 | | | | 59.6 | 内(Inside) | 25 | 93.7/21064 | 104.0 | 4.59 |
| | | | | 54.0 | 61.0 | | | | 62.8 | 内(Inside) | 27 | 102.0/23182 | 113.2 | 4.78 |
| | | | | 58.0 | 65.8 | | | | 67.6 | 内(Inside) | 29 | 108.8/24458 | 120.7 | 5.30 |
| | | | | 62.0 | 69.0 | | | | 70.8 | 内(Inside) | 31 | 117.0/26591 | 129.8 | 5.50 |
| | | | | 66.0 | 73.8 | | | | 75.6 | 内(Inside) | 33 | 124.4/27965 | 138.0 | 6.01 |
| | | | | 70.0 | 77.0 | | | | 78.8 | 内(Inside) | 35 | 133.0/30227 | 147.6 | 6.20 |
| | | | | 74.0 | 82.5 | | | | 84.5 | 内(Inside) | 37 | 140.6/31607 | 156.0 | 6.83 |
| | | | | 78.0 | 85.0 | | | | 86.8 | 内(Inside) | 39 | 149.0/33495 | 165.3 | 7.07 |
| | | | | 86.0 | 93.0 | | | | 94.8 | 内(Inside) | 43 | 164.0/36867 | 182.0 | 7.79 |
| | | | | 94.0 | 101.0 | | | | 102.8 | 内(Inside) | 47 | 180.0/40464 | 199.8 | 8.50 |
| | | | | 126.0 | 133.0 | | | | 135.0 | 内(Inside) | 63 | 191.4/43027 | 212.4 | 11.38 |
| | | | | 158.0 | 165.0 | | | | 166.8 | 内(Inside) | 79 | 240.0/53952 | 266.4 | 14.19 |
| SC8 | 25.400 | 8.90 | 8.90 | 34.0 | 36.0 | 14.0 | 26.7 | 3.0 | 内(Inside) | 9 | 70.0/15736 | 77.7 | 3.36 | |
| | | | | 33.0 | 40.5 | | | | 42.0 | 内(Inside) | 11 | 78.1/17557 | 86.6 | 4.07 |
| | | | | 45.0 | 52.0 | | | | 53.5 | 内(Inside) | 15 | 111.0/25227 | 123.2 | 5.31 |
| | | | | 51.0 | 58.0 | | | | 59.5 | 内(Inside) | 17 | 125.0/28409 | 138.7 | 6.02 |
| | | | | 57.0 | 64.0 | | | | 65.5 | 内(Inside) | 19 | 141.0/32045 | 156.5 | 6.37 |
| | | | | 63.0 | 70.2 | | | | 72.0 | 内(Inside) | 21 | 156.0/35069 | 173.1 | 7.57 |
| | | | | 69.0 | 76.2 | | | | 77.7 | 内(Inside) | 23 | 172.0/39091 | 190.9 | 8.15 |
| | | | | 75.0 | 82.2 | | | | 84.0 | 内(Inside) | 25 | 187.5/42150 | 208.1 | 8.97 |
| | | | | 81.0 | 88.2 | | | | 89.7 | 内(Inside) | 27 | 203.0/46163 | 225.3 | 9.57 |
| | | | | 87.0 | 94.2 | | | | 96.0 | 内(Inside) | 29 | 219.0/49231 | 243.0 | 10.38 |
| | | | | 93.0 | 100.2 | | | | 101.7 | 内(Inside) | 31 | 235.0/53409 | 260.8 | 10.98 |
| | | | | 99.0 | 106.7 | | | | 108.2 | 内(Inside) | 33 | 245.0/55076 | 271.9 | 11.79 |
| | | | | 105.0 | 112.2 | | | | 113.7 | 内(Inside) | 35 | 266.0/59797 | 295.2 | 12.49 |
| | | | | 111.0 | 119.2 | | | | 120.5 | 内(Inside) | 37 | 274.0/61595 | 304.1 | 13.21 |
| | | | | 117.0 | 124.2 | | | | 125.7 | 内(Inside) | 39 | 297.0/66766 | 329.6 | 13.87 |
| | | | | 135.0 | 142.5 | | | | 144.5 | 内(Inside) | 45 | 334.0/75083 | 370.7 | 16.00 |

齿形链 Inverted tooth chains

外接触式齿形链 Flank contact silent chains

内导式 Middle guide

外导式 Side guide



| GB 链号 GB Chain No. | 节距 | 链宽 | 销轴直径 | 销轴长度 | | 孔中心到齿尖 距离 | 链板高度 | 链板厚度 | 导向型式 | 片数 | 抗拉强度 | 平均抗拉强度 | 每米长重 |
|--------------------------------|---------|----------------|-----------------|----------------|-----------------|--|-----------------|--------------------|---------------|------------------------|---------------------|--------------------------------|------------------------|
| | Pitch | Chain width | Pin diameter | Pin length | | Distance from hole center to tooth | Plate depth | Plate thickness | Guide type | Number of plates | Tensile strength | Average tensile strength | Weight per meter |
| | P mm | b min mm | d2 max mm | L max mm | Lc max mm | h1 mm | h2 max mm | T max mm | | n | Q min kN/lbf | Q0 kN | q kg/m |
| SC10 | 31.750 | 57.0 | 10.84 | 66.6 | 69.6 | 17.5 | 33.4 | 3.0 | 内(Inside) | 19 | 165.0/37500 | 183.1 | 8.42 |
| | | 69.0 | | 78.6 | 81.6 | | | | 内(Inside) | 23 | 201.0/45681 | 223.1 | 10.19 |
| | | 81.0 | | 90.6 | 93.6 | | | | 内(Inside) | 27 | 237.0/53863 | 263.2 | 11.96 |
| | | 93.0 | | 102.6 | 105.6 | | | | 内(Inside) | 31 | 273.0/62045 | 303.0 | 13.73 |
| | | 105.0 | | 114.6 | 117.6 | | | | 内(Inside) | 35 | 310.0/70454 | 341.0 | 15.50 |
| | | 117.0 | | 126.6 | 129.6 | | | | 内(Inside) | 39 | 346.0/78636 | 380.6 | 17.27 |
| | | *SC8F1 | | 25.400 | 30.0 | | | | 8.90 | 37.0 | 38.5 | 14.0 | 26.7 |
| 34.0 | 41.0 | 42.5 | 内(Inside) | | 17 | 84.0/18883 | 92.4 | 4.22 | | | | | |
| 38.0 | 45.0 | 46.5 | 内(Inside) | | 19 | 94.0/21131 | 103.4 | 4.69 | | | | | |
| 46.0 | 53.0 | 54.5 | 内(Inside) | | 23 | 115.0/25852 | 126.5 | 5.64 | | | | | |
| 54.0 | 61.2 | 62.7 | 内(Inside) | | 27 | 136.0/30573 | 149.6 | 6.59 | | | | | |
| 62.0 | 69.2 | 70.7 | 内(Inside) | | 31 | 157.0/35294 | 172.7 | 7.54 | | | | | |
| 70.0 | 77.2 | 78.7 | 内(Inside) | | 35 | 178.0/40014 | 195.8 | 8.49 | | | | | |
| | 78.0 | 85.2 | 86.7 | 内(Inside) | 39 | 198.0/44510 | 217.8 | 9.44 | | | | | |

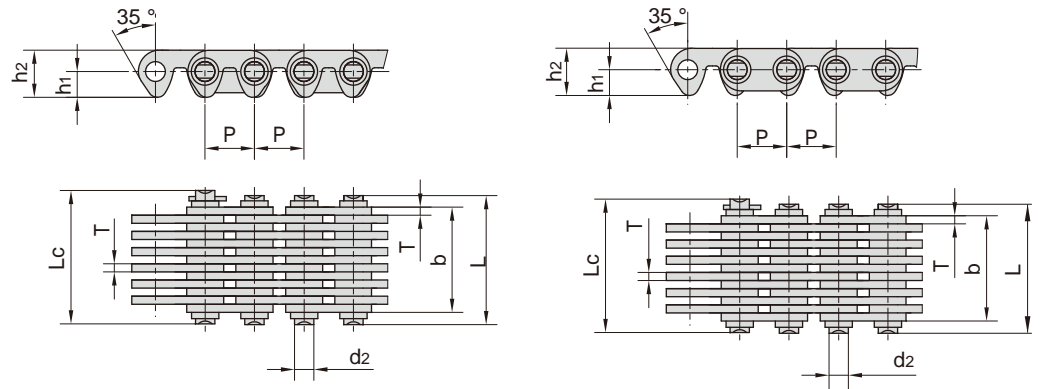
*表示东华链号
*Indicate Donghua chain No.

齿形链 Inverted tooth chains

内接触式齿形链
Crotch contact silent chains

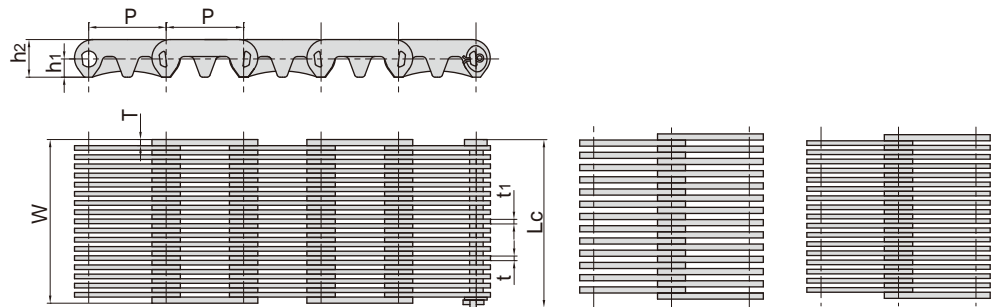
内导式 Middle guide

外导式 Side guide



| 东华链号 Donghua Chain No. | 节距 | 链宽 | 销轴直径 | 销轴长度 | | 孔中心到齿尖 距离 | 链板高度 | 链板厚度 | 导向型式 | 片数 | 抗拉强度 | 平均抗拉强度 | 每米长重 |
|------------------------------|-------|-------------|--------------|------------|------------------------------------|--------------|-----------------|------------|------------------|------------------|--------------------------|------------------|------|
| | Pitch | Chain width | Pin diameter | Pin length | Distance from hole center to tooth | Plate depth | Plate thickness | Guide type | Number of plates | Tensile strength | Average tensile strength | Weight per meter | |
| | P | b min | d2 max | L max | Lc max | h1 | h2 max | T max | n | Q min | Q0 | q | |
| | mm | mm | mm | mm | mm | mm | mm | mm | | | kN/lbf | kN | kg/m |
| C4-120 | 12.7 | 19.5 | 5.08 | 24.5 | 26.0 | 6.62 | 12.1 | 1.5 | 内(Inside) | 13 | 20.0/4545 | 22.2 | 1.20 |
| C4-123 | | 22.5 | | 27.5 | 29.0 | | | | 内(Inside) | 15 | 23.0/5227 | 25.5 | 1.37 |
| C4-129 | | 28.5 | | 33.5 | 35.0 | | | | 内(Inside) | 19 | 28.5/6477 | 31.6 | 1.72 |
| C4-132 | | 31.5 | | 36.5 | 38.0 | | | | 内(Inside) | 21 | 31.5/7159 | 34.9 | 1.89 |
| C4-138 | | 37.5 | | 42.5 | 44.0 | | | | 内(Inside) | 25 | 38.0/8636 | 42.1 | 2.22 |
| C4-150 | | 49.5 | | 54.5 | 56.0 | | | | 内(Inside) | 33 | 50.0/11363 | 55.5 | 2.90 |
| C4-320 | 12.7 | 19.5 | 5.08 | 24.5 | 26.0 | 6.62 | 12.1 | 1.5 | 外(Outside) | 13 | 20.0/4545 | 22.2 | 1.21 |
| C4-323 | | 22.5 | | 27.5 | 29.0 | | | | 外(Outside) | 15 | 23.0/5227 | 25.5 | 1.38 |
| C4-329 | | 28.5 | | 33.5 | 35.0 | | | | 外(Outside) | 19 | 28.5/6477 | 31.6 | 1.73 |
| C4-332 | | 31.5 | | 36.5 | 38.0 | | | | 外(Outside) | 21 | 31.5/7159 | 34.9 | 1.90 |
| C4-338 | | 37.5 | | 42.5 | 44.0 | | | | 外(Outside) | 25 | 38.0/8636 | 42.1 | 2.23 |

双节距齿形链
Double pitch silent chains



| 东华链号 Donghua Chain No. | 节距 | 链宽 | 销轴长度 | 链板高度 | | 链板厚度 | | 导向型式 | 片数 | 抗拉强度 | 每米长重 |
|------------------------------|-------|-------------|------------|-------------|-----------------|------------|------------------|------------------|------------------|------------|------|
| | Pitch | Chain width | Pin length | Plate depth | Plate thickness | Guide type | Number of plates | Tensile strength | Weight per meter | | |
| | P | W min | Lc max | h1 | h2 | t/t1 max | T max | n | Q min | q | |
| | mm | mm | mm | mm | mm | mm | mm | | | kN/lbf | kg/m |
| CL208F1-55.8N | 25.4 | 55.8 | 55.8 | 6.2 | 12.6 | 2.0 | 1.5 | 内(Inside) | 35(18X17) | 66.4/14928 | 2.59 |
| HV4TT-14X13N | 25.4 | 55.8 | 55.8 | 6.2 | 12.6 | 2.0 | 2.0 | 内(Inside) | 27(14X13) | 66.4/14928 | 2.57 |