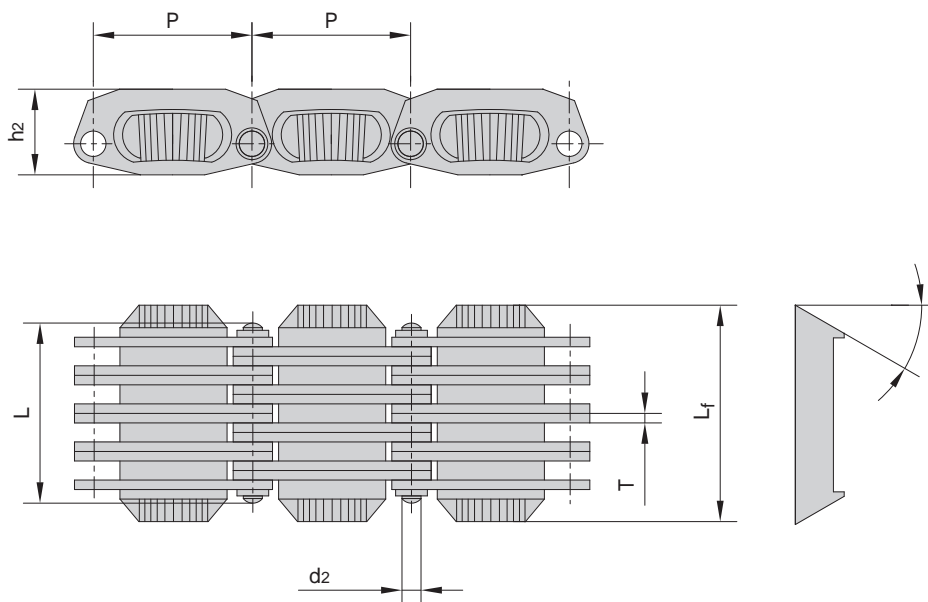


滑片式无级变速链 Self-tooth-forming chains(P.I.V. chains)



| JB 链号 JB Chain No. | 节距 Pitch | 销轴直径 Pin diameter | 销轴长度 Pin length | 链板高度 Plate depth | 链板厚度 Plate thickness | 摩擦片长度 Width over friction plate | 摩擦片斜角 Angle of friction plate | 抗拉强度 Tensile strength | 平均抗拉强度 Average tensile strength | 每米长重 Weight per meter |
|-----------------------------|-------------|-------------------------|-----------------------|------------------------|----------------------------|--|--|-----------------------------|--|--------------------------------|
| | P | d2 max | L max | h2 max | T max | L _f | | Q min | Q ₀ | q |
| | mm | mm | mm | mm | mm | mm | | kN/lbf | kN | kg/m |
| A0 | 18.75 | 3.00 | 19.5 | 9.5 | 1.0 | 24.0 | 15 ° | 9.0/2045 | 9.9 | 1.00 |
| A1(A2) | 25.00 | 3.00 | 30.1 | 13.5 | 1.5 | 37.8 | 15 ° | 21.0/4772 | 23.3 | 2.23 |
| A3 | 28.60 | 3.00 | 35.3 | 16.0 | 1.5 | 44.2 | 15 ° | 38.5/8750 | 42.7 | 3.04 |
| A4 | 36.00 | 4.00 | 48.5 | 20.5 | 1.5 | 58.5 | 15 ° | 61.5/13977 | 68.2 | 5.54 |
| A5 | 36.00 | 4.00 | 60.5 | 20.5 | 1.5 | 70.0 | 15 ° | 71.0/16136 | 78.8 | 6.70 |